



H-TYPE

The flatbed plotter CO₂ laser system for medium format cutting: accuracy and high performances in the same laser system.

- **H-Type** is the flatbed laser system developed from SEI Laser for medium format sheet or roll cutting. H-Type can process all the materials: acrylic (PMMA), ABS, plastic, PET, PP, BOPP, ceramic, paper, cardboard, leather, textiles, glass, marble, wood, acetates, adhesive foils, composite materials.
- **H-Type** is the professional laser system for CO₂ laser cutting with a maximum work area of 1000x700 mm which exploits an X-Y axis movement system with 4 brushless motors and sophisticated axes interpolation algorithms that guarantee exceptional dynamics of movement. The accuracy is guaranteed by the stability, strength and rigidity of the movement structure fixed to a solid die-cast monobloc base.
- **H-Type** is characterized by high performances and acceleration: the maximum speed is 4000 mm/s, the acceleration is up to 4 g.
- **H-Type** is equipped with a CCD camera for register laser processing and for automatic file uploading thanks to single or multiple printing markers. It is also available with conveyor for roll cutting.
- Z axis to process large, 3D and cylindrical objects.
- Industry 4.0 Ready: full digital workflow integration.



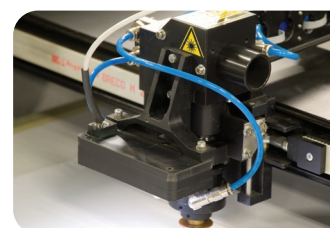
*Optical groups/
interchangeable lens*



*360° rotary
attachment*



*CCD kit for register
cutting with printing
marker recognition*





H-TYPE

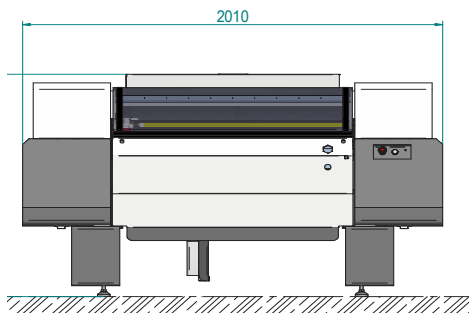
Main technical features:

Versions	V150	V300
Laser technology	Sealed CO ₂ laser source excited by RF discharge	
Laser power	150W	300W
Laser wavelength (µm)	10.6	
Pulse frequency (kHz)	0-130	
Cooling	Liquid cooling (closed loop chiller)	
X-Y axis movement	Patented H-FRAME - 4 brushless motors	
Working area (mm)	1000x700	
Whole area (mm)	1100x800	
Z axis - working table (mm)	30	
Max. thickness of the material to be processed (mm)	90	
Max. acceleration (g)	4	
Max. vector speed (mm/s)	4000	
Software interface	CAM Icaro su piattaforma Windows™	
Vector images import	.dxf; .plt; .ai; .eps; .pdf;	
Raster graphics import	.bmp; .jpg; .tiff; .wmf; .pcd; .pnt; .pcx; etc...;	
Norm compliance	2014/35/EU Low Voltage Directive	
	2006/42/CE Machinery Directive	
	2014/30/EU Electromagnetic Compatibility Directive	
	IEC EN 60825-1 Laser safety	

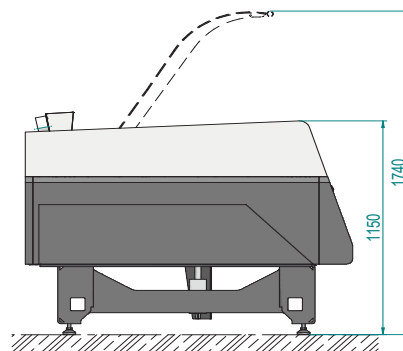


Available options that increase flexibility:

- CCD camera for register laser processing thanks to printing markers;
- 360° rotary attachment for cylindrical objects processing;
- Kit for 3D material processing;
- Focal units and lens holders available: 1,5"; 2,5"; 3,75"; 5";
- Conveyor for roll material processing;
- Proportional valve for the regulation of the gas pressure during cutting.



Max weight: 250 Kg



Gas Kit for cutting and marking



Conveyor

